

Network management is central to IT service management. Critically needed functions include autodiscovery, network configuration control, scalable SNMP polling, network protocol analysis and active network mapping.

With our Network Management Suite, you can easily add these functions to your GroundWork Monitor Professional

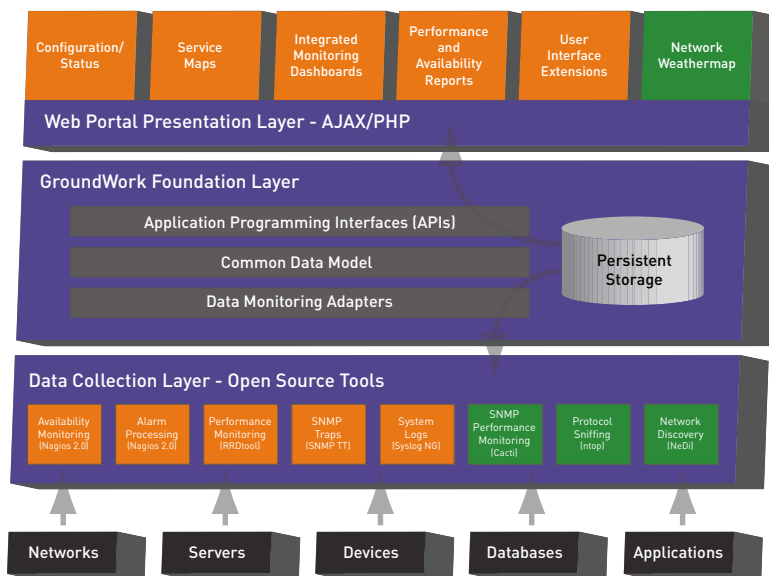
The extensions to the GroundWork Monitor Professional Architecture are shown in green on the diagram. Depending on which delivery option you choose, GroundWork Project Engineers will add one or more of these components to your GroundWork Monitor Professional installation.

Groundwork offers three delivery options which for the Network Management Suite:

- **Network Discovery and Configuration Control** adds the Network Discovery (NeDi) component to your installation.
- **Network Traffic Analysis** adds the SNMP Performance Monitoring (Cacti), Protocol Sniffing (ntop) and Network Weathermap components to your installation.
- **Scalable SNMP Polling** leverages Cacti's power to optimize the capacity of SNMP polling.

Choose the combination of options that best suits your needs.

### GroundWork Monitor Professional Architecture



### KEY BENEFITS

- Reduce costs of network management with automatic network discovery and streamlined configuration management.
- Enhance visibility of network status and throughput, and place key diagnostic and forensic capabilities at your fingertips.
- Improve process management and diagnostic support with a single reporting source for events and alarms.
- Scale up SNMP polling capacity with efficient hardware utilization.

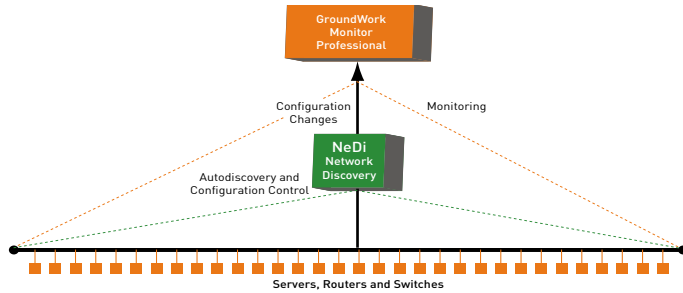
installation. GroundWork Project Engineers deliver these functions by combining four best-of-breed open source applications — NeDi, Cacti, ntop and Network Weathermap —and integrating them with GroundWork Monitor Professional.

- **NeDi:** An autodiscovery and configuration management suite.
- **Cacti:** A highly optimized SNMP polling process that generates graphical output and flexible reporting of that data.
- **ntop:** An easy-to-use network traffic analyzer that provides breakdown of network traffic by application, segment and component.
- **Network Weathermap:** In combination with Cacti, an application that provides active status maps for network circuits and segments.

All of these applications are accessible through the GroundWork Guava Portal.

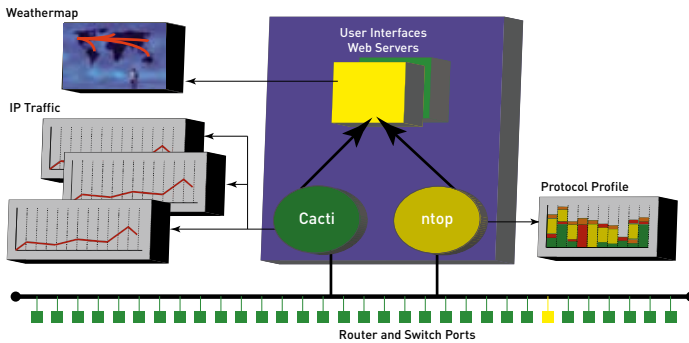
**NETWORK DISCOVERY AND CONFIGURATION CONTROL**

GroundWork Project Engineers integrate GroundWork Monitor Professional with NeDi, an open source network discovery suite, and automatically discover network topology and component configurations. The autodiscovery output of NeDi serves as the input to the configuration process for GroundWork Monitor Professional. This increases productivity by simplifying tasks associated with system installation and routine maintenance. In addition to autodiscovery, you can use NeDi for router table maintenance, asset tracking, script-based configuration updating and configuration change monitoring.



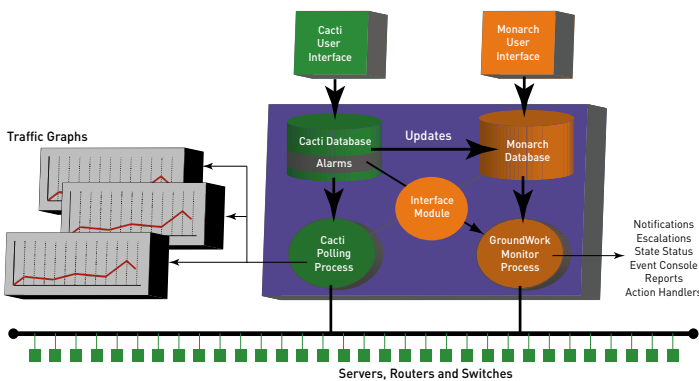
**NETWORK TRAFFIC ANALYSIS**

GroundWork Project Engineers install and configure Cacti, Network Weathermap and ntop, and integrate them with GroundWork Monitor Professional. The resulting installation covers core switches, routers and firewalls. With active maps, traffic graphs and protocol analysis graphs at your fingertips you can comprehensively analyze network traffic at both the IP packet and application protocol levels and rapidly troubleshoot network problems.



**SCALABLE SNMP POLLING**

GroundWork Project Engineers integrate Cacti's simple threshold comparison-based alarm detection with GroundWork Monitor Professional. The enhanced capacity of Cacti's SNMP polling process linked to GroundWork Monitor Professional extends alarm conditioning, event correlation, notification, escalation, data management and reporting. By integrating the Cacti database with the Monarch and Foundation databases, you get one-stop configuration of the Cacti and GroundWork systems and simplified system maintenance.



**ABOUT GROUNDWORK OPEN SOURCE, INC.**

San Francisco-based GroundWork Open Source, Inc. ([www.groundworkopensource.com](http://www.groundworkopensource.com)) is the leader in the fast-growth market for open source IT operations management software. GroundWork integrates, enhances and develops leading open source software to deliver comprehensive IT monitoring solutions at a fraction of the cost of traditional software. With GroundWork solutions, enterprises leverage the

flexibility and low cost of open source tools to achieve enterprise-level availability, performance and operational efficiency. GroundWork customers represent a variety of industries, including education, financial services, government, manufacturing and high technology. GroundWork is privately held, with investments from Mayfield and Canaan Partners.

139 Townsend Street, Suite 100  
San Francisco, CA 94107  
Toll-free: (866) 899-4342  
Tel: (415) 992-4500  
Fax: (415) 947-0684  
[info@groundworkopensource.com](mailto:info@groundworkopensource.com)  
[www.groundworkopensource.com](http://www.groundworkopensource.com)